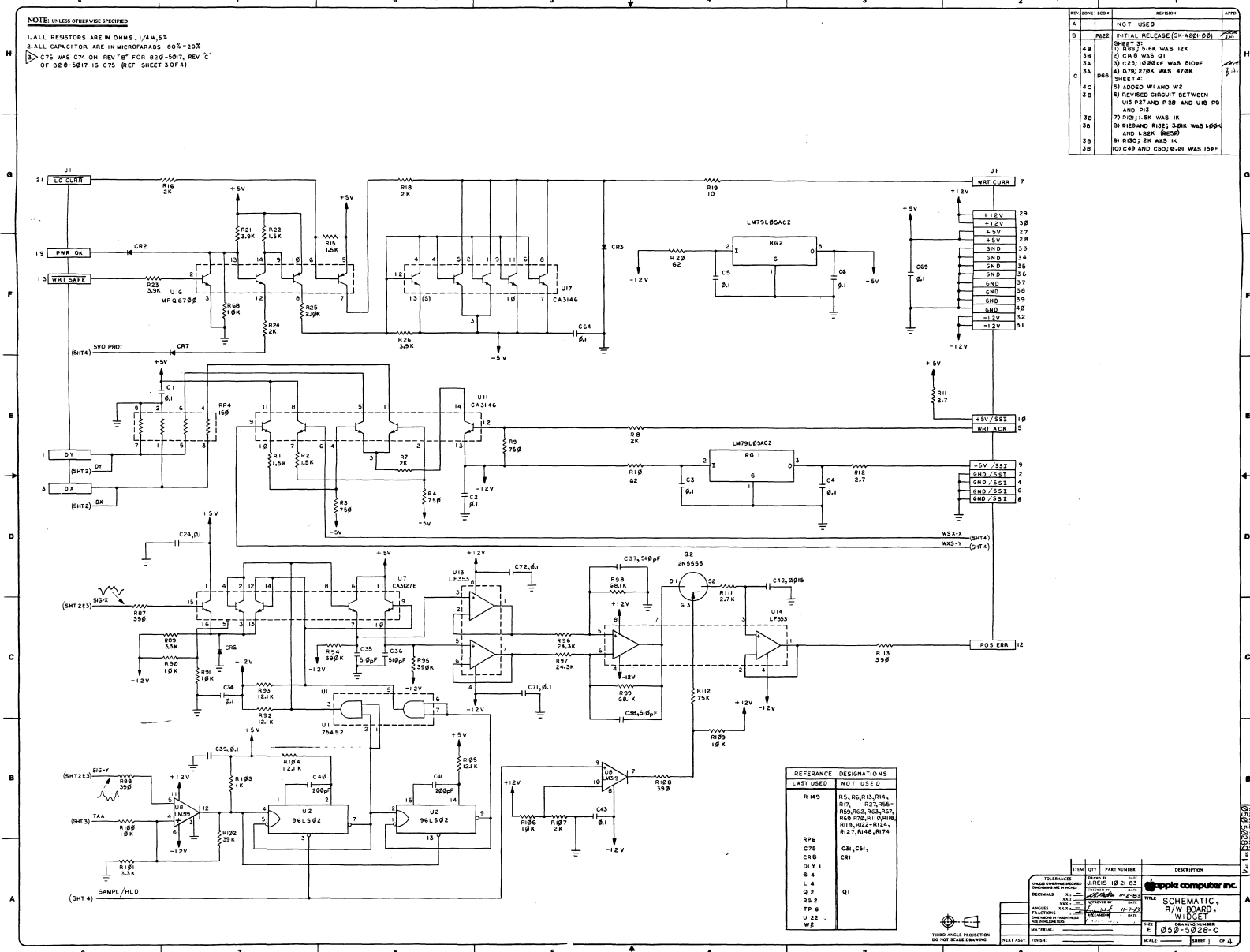


NOTE: UNLESS OTHERWISE SPECIFIED
 1. ALL RESISTORS ARE IN OHMS, 1/4W, 5%
 2. ALL CAPACITORS ARE IN MICROFARADS 80% - 20%
 > C75 WAS C74 ON REV 'B' FOR R29-50R7, REV 'C'
 OF 829-50R7 IS C75 (REF SHEET 3 OF 4)



REV	DATE	BY	DESCRIPTION
A			NOT USED
B	05/22		INITIAL RELEASE (SH-W201-00)
C	06/01		SHEET 1: 1) R52; 5.6K WAS 12K 2) CR8 WAS Q1 3) C55; 1000PF WAS 810PF 4) R70; 270K WAS 470K SHEET 4: 5) ADDED W1 AND W2 6) REVISED CIRCUIT BETWEEN U15 P27 AND P38 AND U16 P5 AND P13 7) R101; 1.5K WAS 1K 8) R183 AND R132; 30K WAS 1.00K AND 1.02K (RES) 9) R100; 2K WAS 1K 10) C49 AND C50; 0.01 WAS 100PF

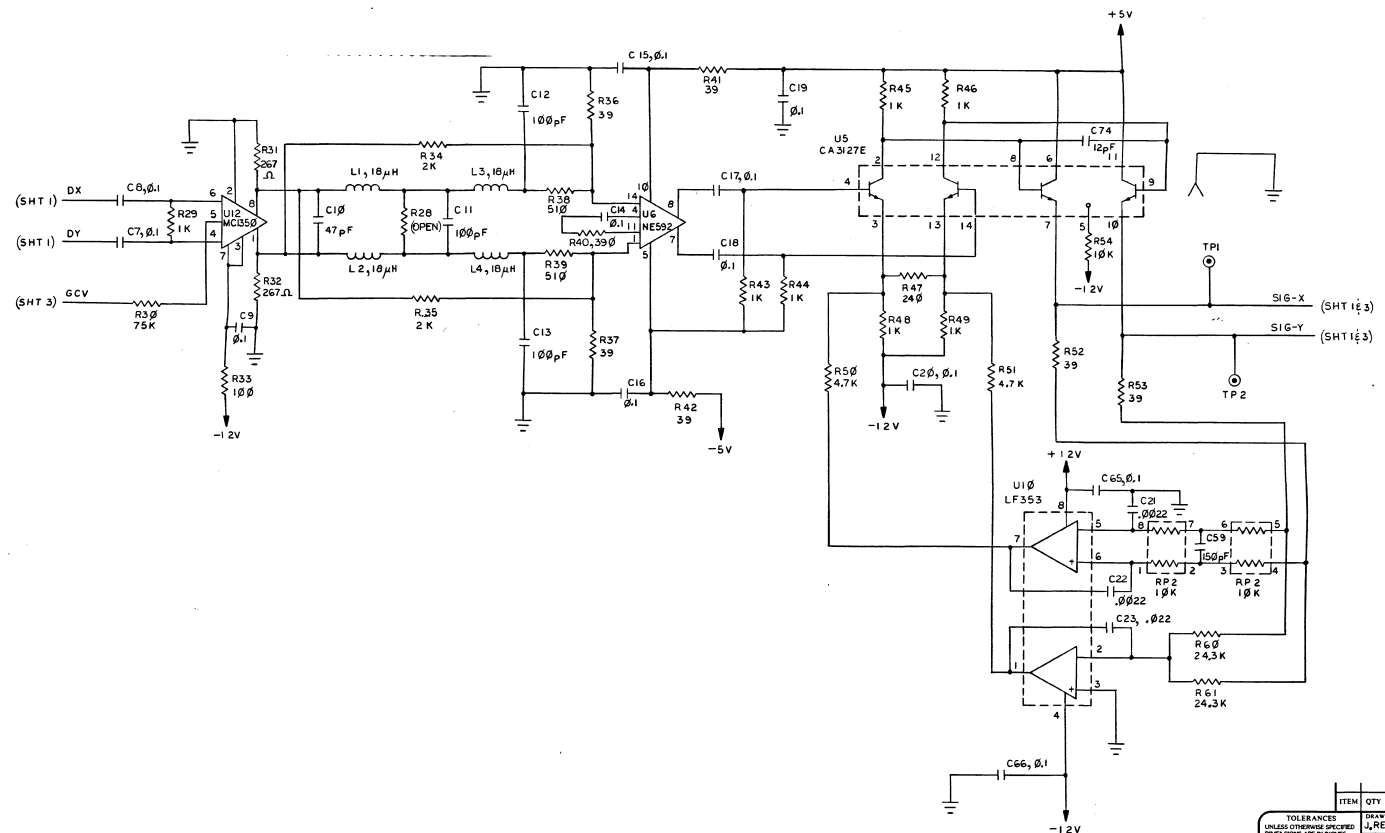
REFERENCE	DESIGNATIONS
LAST USED	NOT USED
R 409	R5, R6, R13, R14, R17, R27, R55, R56, R62, R63, R65, R69, R75, R112, R118, R119, R122, R124, R127, R148, R174
RP6	C31, C51
CR5	
CR8	
DLT 1	
Q 4	
L 4	
Q 2	Q1
DS 2	
TP 4	
U 22	
WB	

THIRD ANGLE PROJECTION
 DO NOT SCALE DRAWING

ITEM	QTY	PART NUMBER	DESCRIPTION
SCHEMATIC R/W BOARD W/DGE			
TITLE: SCHEMATIC R/W BOARD W/DGE PART NUMBER: 0500-0028-C DATE: 05/22/77 DRAWN BY: [Signature] CHECKED BY: [Signature]			SHEET 1 OF 4

NOTE: UNLESS OTHERWISE SPECIFIED

REV	DATE	ECO	BY	REVISION	APPD	DATE
				SEE SHEET 1		



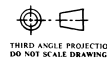
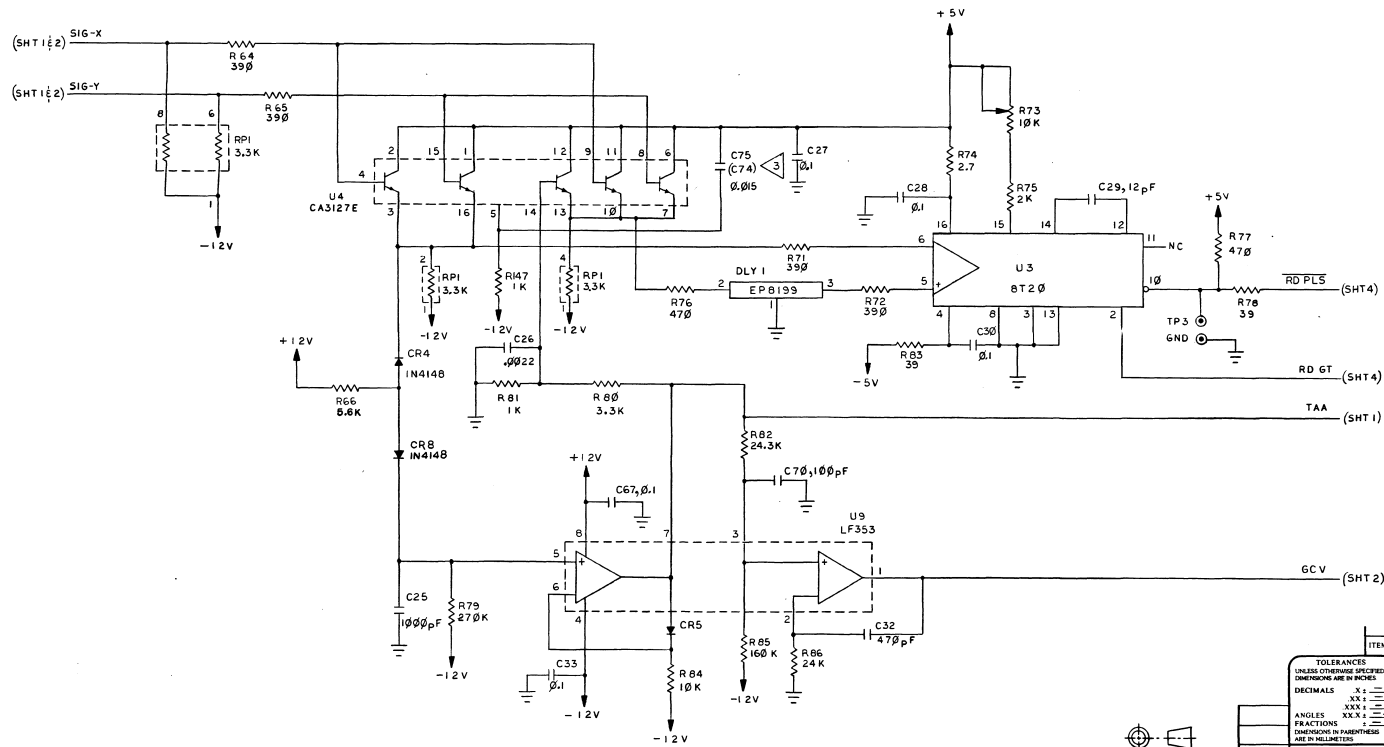
TOLERANCES UNLESS OTHERWISE SPECIFIED: DECIMALS X.1; ANGLES XXX.1; FRACTIONS ONE EIGHTH INCHES ARE IN MILLIMETERS	DRAWN BY: J. REIS	DATE: 10-26-83	DESIGNED BY: J. REIS	CHECKED BY: J. REIS	DATE: 11-2-83	APPROVED BY: J. REIS	DATE: 11-7-83	RELEASED BY: J. REIS	DATE: 11-7-83
MATERIAL: _____	FINISH: _____		NEXT ASSY: _____		SCALE: _____		DRAWING NUMBER: 050-5028-C		
DESCRIPTION: SCHEMATIC, R/W BOARD, WIDGET							DRAWING NUMBER: 050-5028-C		
SIZE: D							SHEET 2 OF 4		

THIRD ANGLE PROJECTION
DO NOT SCALE DRAWING

050-5028-C
REV 2

NOTE: UNLESS OTHERWISE SPECIFIED

REV	ECO	REVISION	APP'D	DATE
		SEE SHEET 1		



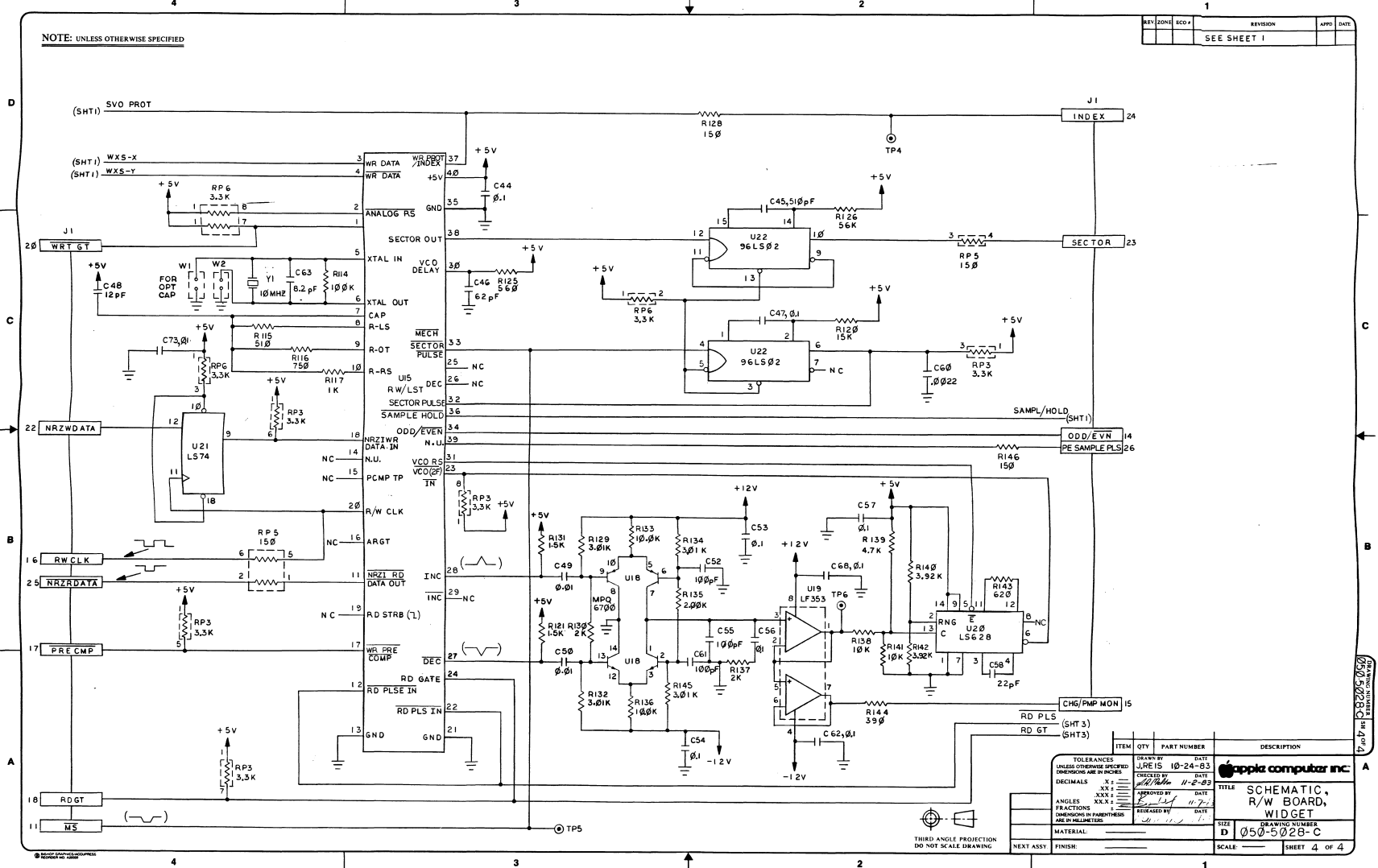
THIRD ANGLE PROJECTION
DO NOT SCALE DRAWING

ITEM	QTY	PART NUMBER	DESCRIPTION
TOLERANCES: DRAWN BY: DATE: UNLESS OTHERWISE SPECIFIED: J.REIS 10-27-83 DIMENSIONS ARE IN INCHES. CHECKED BY: DATE: DECIMALS: .X X X APPROVED BY: DATE: ANGLES: XXX X RELEASED BY: DATE: DIMENSIONS IN PARENTHESES ARE IN MILLIMETERS.			
MATERIAL:			TITLE: SCHEMATIC, R/W BOARD, WIDGET
NEXT ASSY: FINISH:			SIZE: D DRAWING NUMBER: 050-5028-C
			SCALE: SHEET 3 OF 4

050-5028-C
 R/W BOARD
 WIDGET

NOTE: UNLESS OTHERWISE SPECIFIED

REV	ZONE	ECO	+	REVISION	APP	DATE
				SEE SHEET 1		



TOLERANCES UNLESS OTHERWISE SPECIFIED: DIMENSIONS ARE IN INCHES	DRAWN BY: J.H.R.E.S. DATE: 10-24-83	DESIGNED BY: DATE: 11-2-83	APPROVED BY: DATE: 11-7-83	RELEASED BY: DATE: 11-7-83
DECIMALS: X 1	FRACTIONS: XX 1	ANGLES: XX 1	UNLESS OTHERWISE SPECIFIED: DIMENSIONS ARE IN MILLIMETERS	
MATERIAL:				
ITEM	QTY	PART NUMBER	DESCRIPTION	
RD PLS (SHT 3)			RD PLS (SHT 3)	
RD GT (SHT 3)			RD GT (SHT 3)	
CHG/PMP MON			CHG/PMP MON	
apple computer inc.			TITLE: SCHEMATIC, R/W BOARD, WIDGET	
D 050-5028-C			DRAWING NUMBER	
SCALE: 1:1			SHEET 4 OF 4	

THIRD ANGLE PROJECTION
DO NOT SCALE DRAWING

1700-11-10-01-010